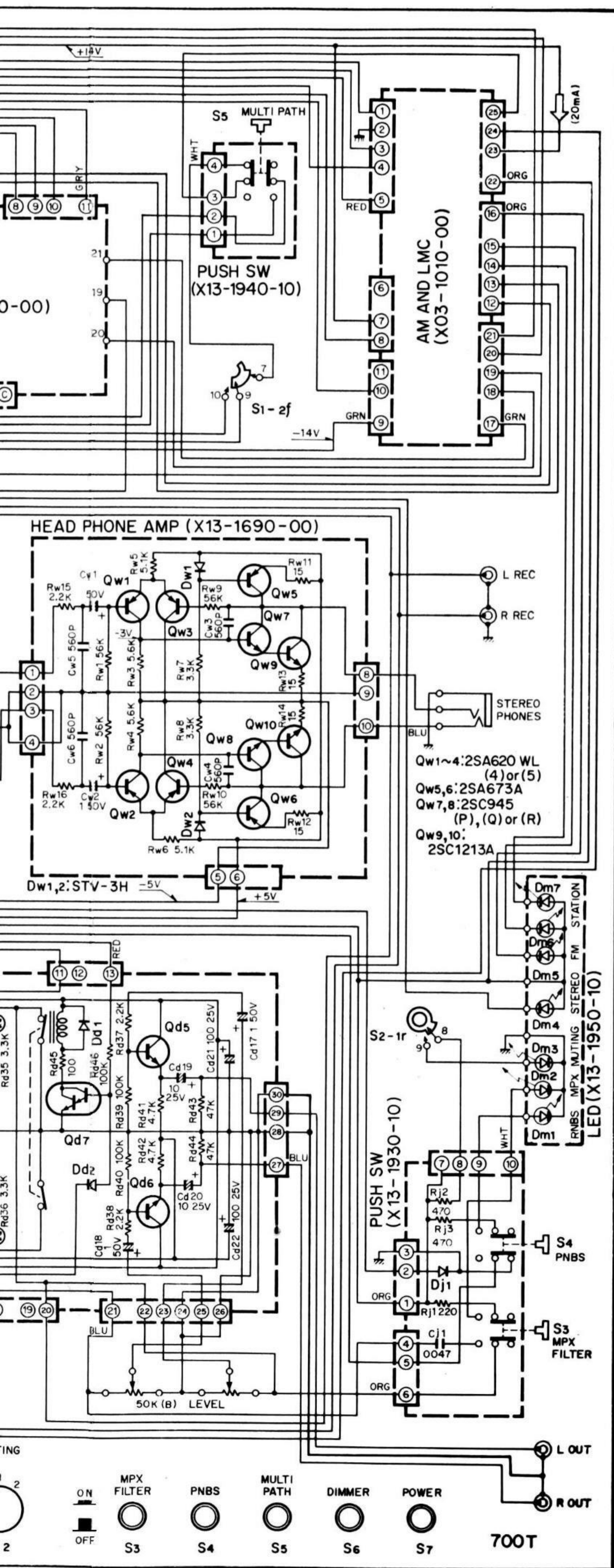


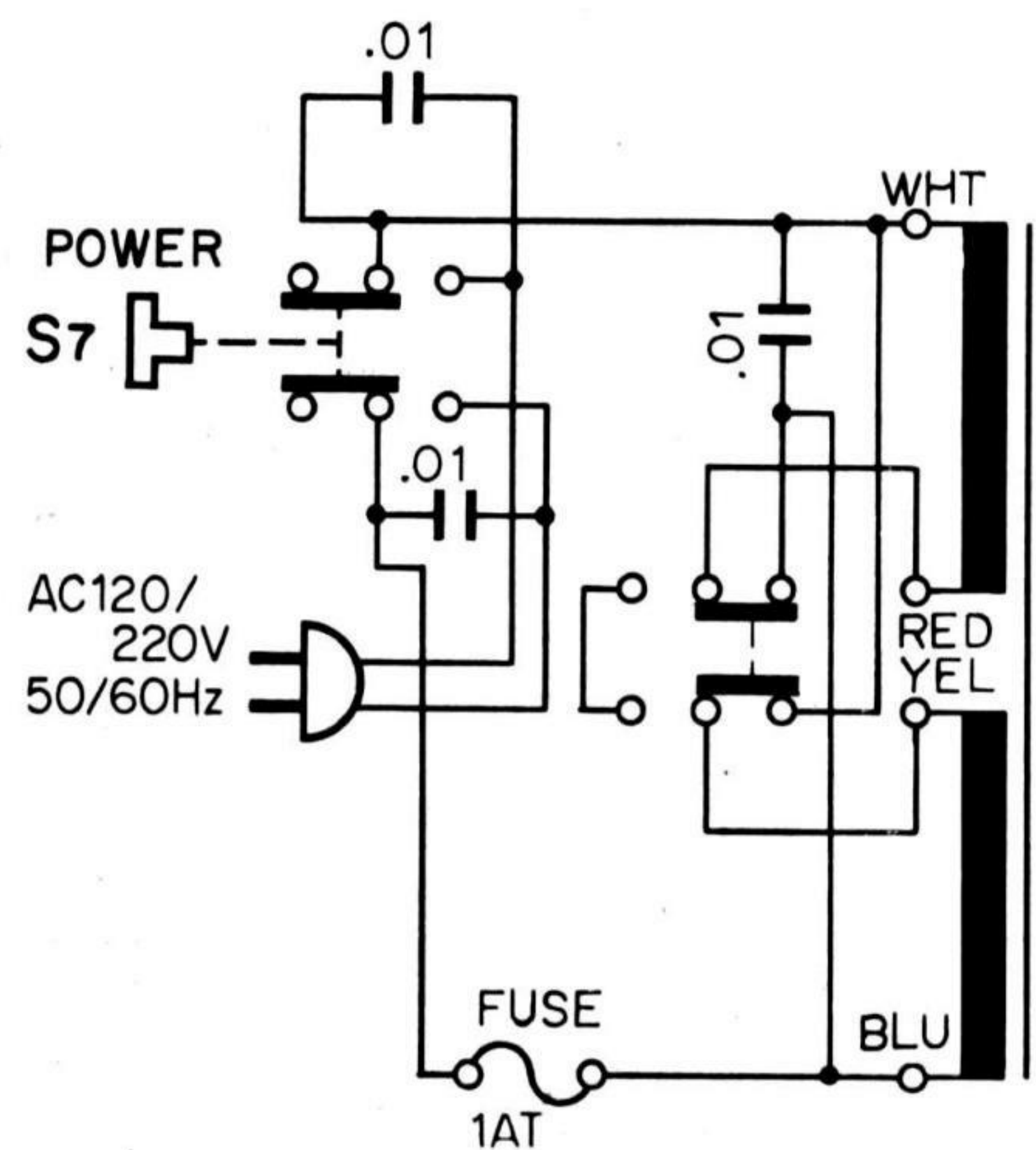
SCHEMATIC DIAGRAM



REVISED CIRCUITS

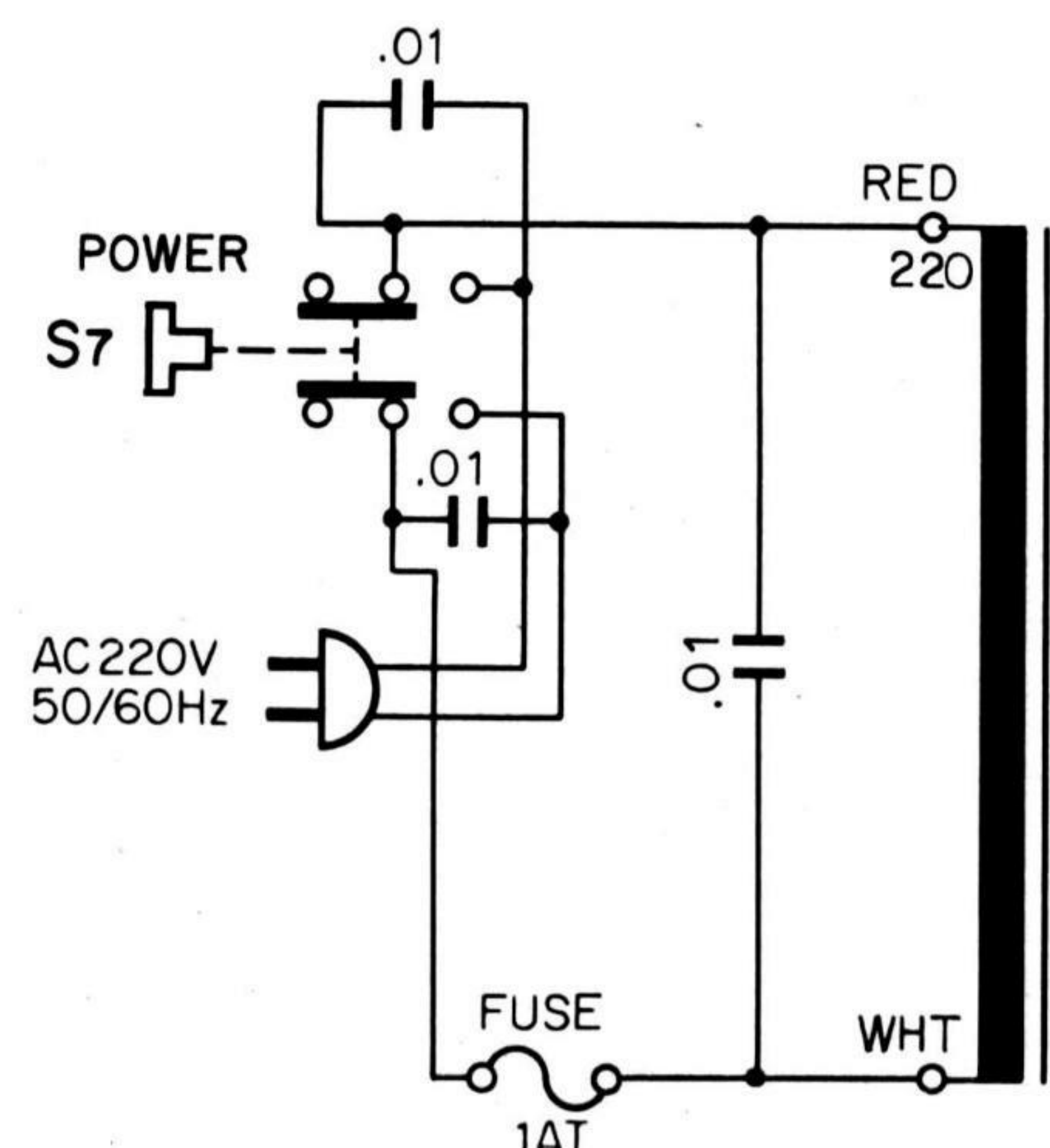
For the sets sold in Europe except England.

W TYPE



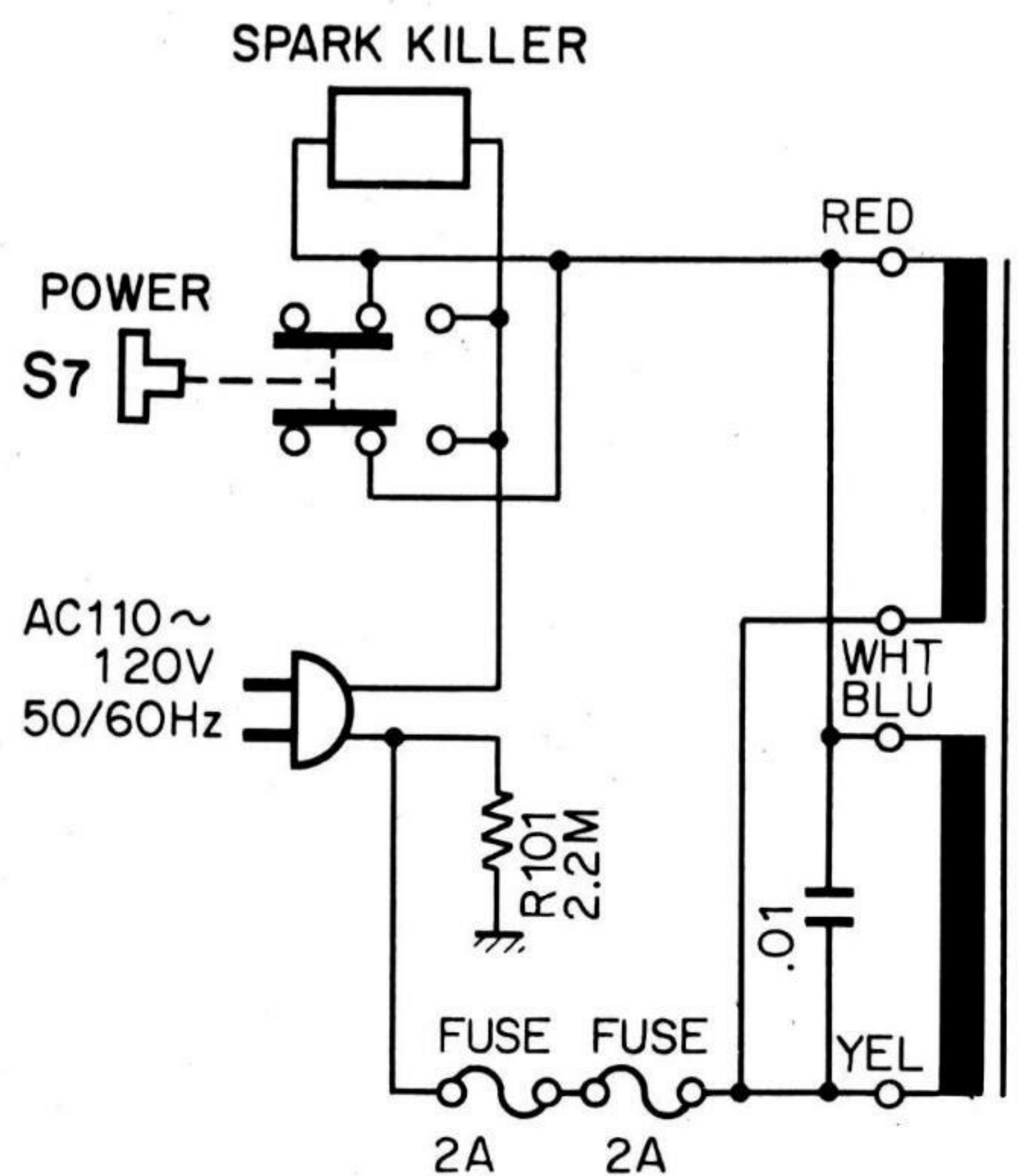
For the sets sold in Scandinavia.

L TYPE



For the sets sold in Canada.

P TYPE



For the sets sold in PX and areas except designated.

U, M TYPE

